



## BG-Power600k Power Supply quick start manual

### Quick start

#### Setting voltage, current or power limits

The display will now flash for the set voltage limit. Using the SCROLL KEY to setting voltage limit and then switch to suitable digit using the SWITCH KEYS. Using the SCROLL KEYS again to select the desire values for the run. Confirm with ENTER KEY. Repeat above procedures for limiting current and power.

#### Setting time limit

The default time is 999 minutes. In case changing the time limit, switch to suitable digit using the SWITCH KEYS and select the desire values with the SCROLL KEYS. Press RUN and PAUSE KEY to run.

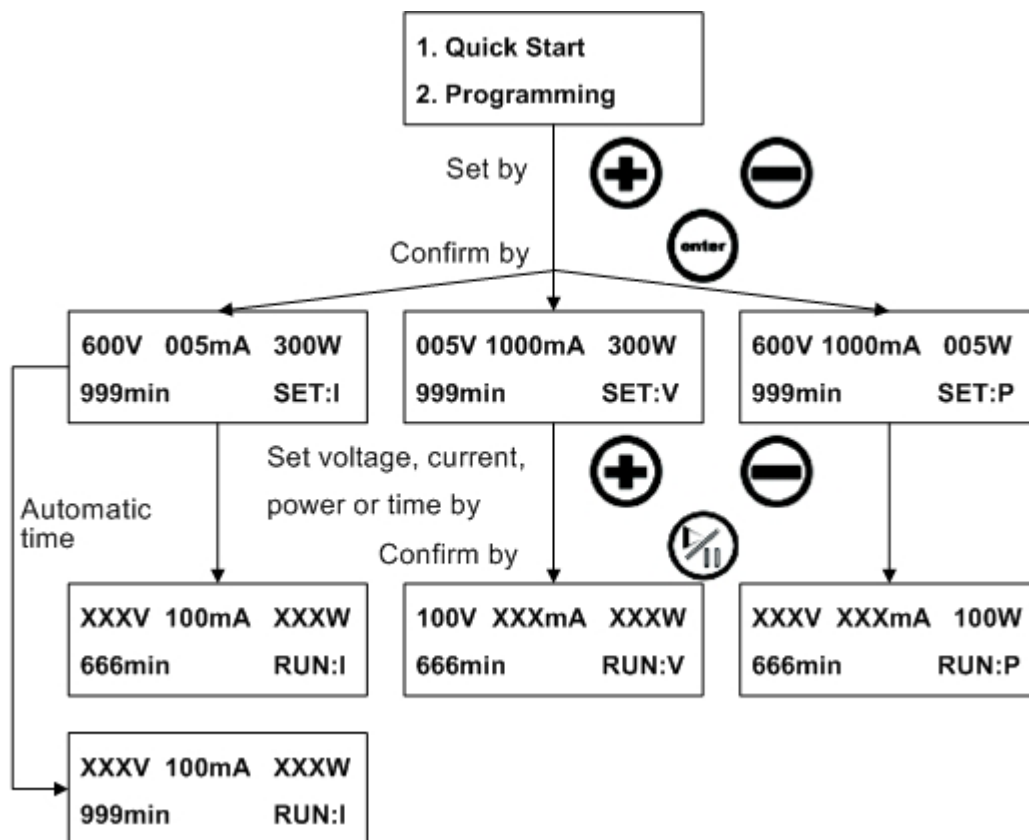
### Program

#### Saving a program

Choose a blank program and set the voltage, current and power limit as described above. Press RUN and PAUSE KEY will run the parameters. By the end, the parameters will be saved to the blank program. The instrument can save up to twelve programs.

#### Choosing a program

Using the SCROLL KEYS to select a suitable program and press ENTER to retrieve the parameters. Press RUN and PAUSE KEY to run. The parameters can also be changed using the procedures described above, and the changes will be saved to the program.





## BG-Power600k 电泳仪电源快速使用说明书

### 快速使用模式

#### 设置电压，电流或者功率的数值

此时液晶屏上显示光标在运行模式选项上，使用选择键切换设置模式，切换键调整光标到需要修改的参数（个、十、百位均可修改）位置上，按选择键调整参数大小。电流或者功率数值设置的步骤同上。

#### 设置时间数值

系统默认时间为 999min，如需调整，按切换键将光标移动到适当位置，按选择键调整数值。最后，按运行和暂停键开始。

### 编程模式

#### 储存一个程序

选择一个空白程序，设置电压、电流或功率，运行后将被储存到当前编号程序上。本仪器可以储存 12 个电泳程序。

#### 选择一个程序

按选择键选择储存程序编号，按确认键调出此程序，查看无误后可直接开始运行；如需修改，参考 Quick Start 模式调节步骤。修改后的数值将在运行后被储存到当前编号程序上。

